

92%

0.99

IP67

5

EUV-100SxxxSV

100W

90-305Vac



	-	-	65 A	220Vac 25 10%~10%
(I <sup>2</sup> t)	-	-	1 A2s	= 1.2 ms
	0.85	-	-	100~ 277Vac, 50-60Hz, 75%~ 100% (75-100W)
	-	-	20%	220Vac, 50-60Hz, 100%

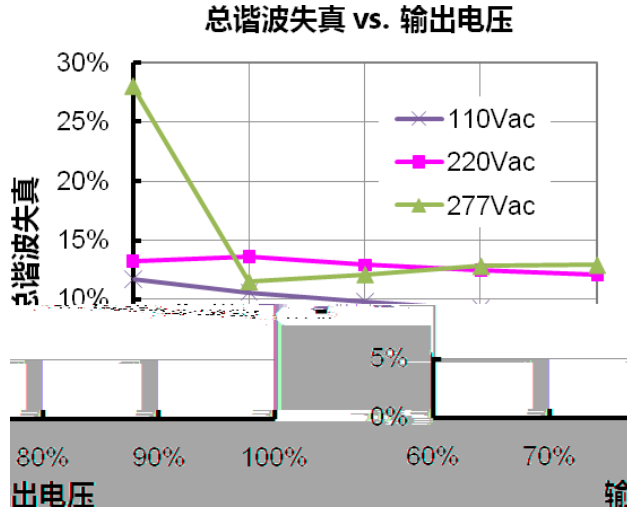
	-5%	-	5%	
pk-pk	-	-	2.0% V <sub>O</sub>	: 20MHz 0.1uF 10uF
	-	-	1%	/
	-	-	2%	/
	-	0.6 s	1.2 s	110Vac
	-	0.3 s	0.6 s	220Vac
/	-	-	10%	
	-	-	5% V <sub>O</sub>	/ : 1 A/uS
	-	-	10 mS	: 25% ~ 75%
	-	0.05%/ C	-	= 0 C ~ Tc

25 C

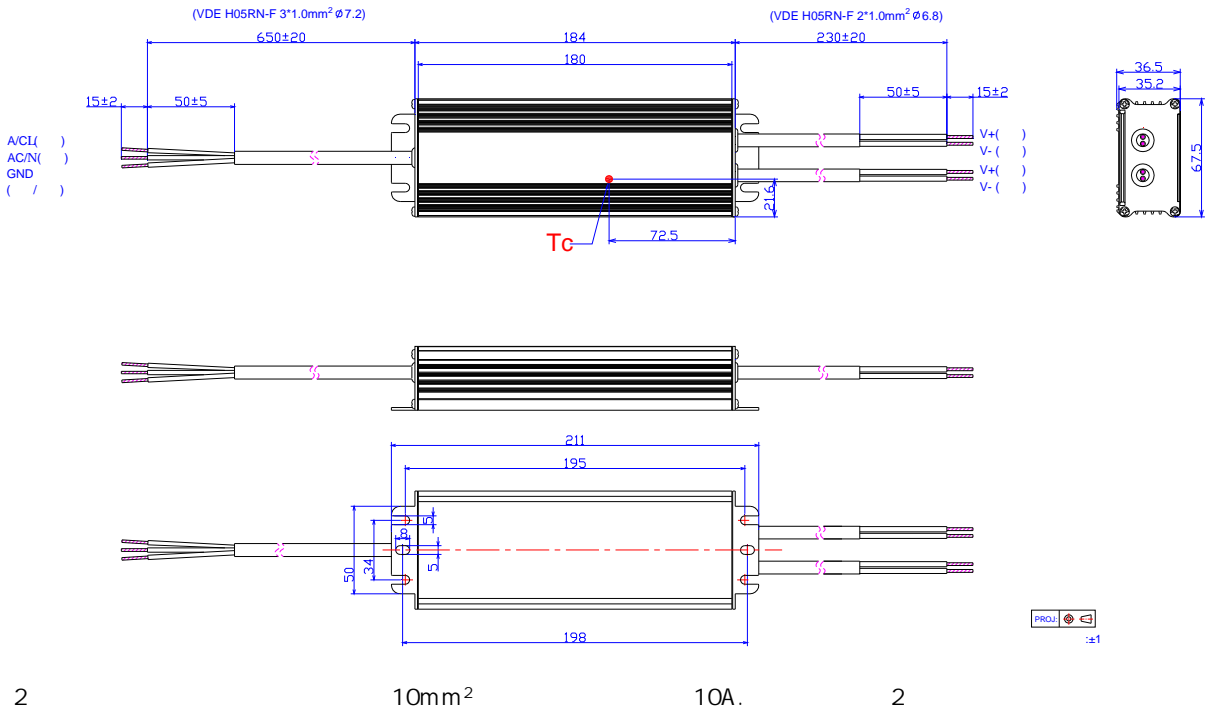
V <sub>O</sub> = 12 V	14 V	15 V	16 V	
V <sub>O</sub> = 24 V	27 V	30 V	34 V	
V <sub>O</sub> = 36 V	40 V	47 V	50 V	
V <sub>O</sub> = 48 V	54 V	59 V	63 V	
	110% I <sub>O</sub>	135% I <sub>O</sub>	195% I <sub>O</sub>	
	-	110 C	-	

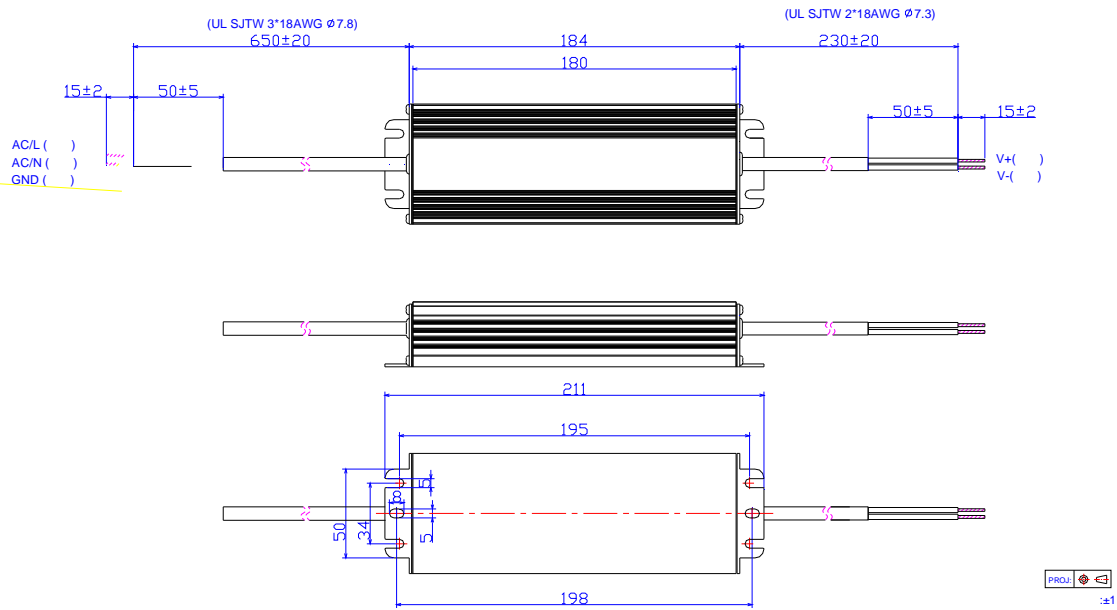






## EUV-100S012SV





2012-02-28	A			/		/		
2012-06-12	B			/		/		
		Vo= 81 V & Vo= 105 V		/		/		
2012-7-12	C			/				
2012-7-12	K							
2012-8-23	L	@ 110 Vac	MIN	TYP	MIN	TYP		
		Vo= 12 V	86%	89%	87%	89%		
		Vo= 24 V	88%	91%	88%	90%		
		Vo= 36 V	88%	90%	88%	90%		
		Vo= 48 V	88%	90%	88%	90%		
		Vo= 54 V	88%	91%	89%	91%		
		@ 220Vac	MIN	TYP	MIN	TYP		
Vo= 12 V	89%	91%	89%	91%				
Vo= 24 V	91%	93%	90%	92%				
Vo= 36 V	91%	93%	90%	92%				
Vo= 48 V	91%	92%	90%	92%				
Vo= 54 V	91%	92%	91%	92%				
		42V	/					
			/					
			1.5 W		3.5 W			
		MTBF	439,000 Hrs		200,000 Hrs			
2012-12-24	M	MTBF	200,000 Hrs		Typ 338,000 Hrs			
		54V	/					
			1.5% Vo		2.0% Vo			
		@ 110Vac	1.0 s		1.2 s			
			Min 50,000 Hrs@65		Typ 113,000 Hrs@60			
		PF	THD	/				
				/				
2019-09-19	N	KS	/					
			5					
			/					
			3 :					

2019-09-19	N			
			/	
			KS	
			EN 61000-4-5	
			/	
			/	
			/	
		RoHS	/	