

Features

-
-

Description

Models

| Input Voltage Range | Nominal Discharge Current In(8/20μs) | I _{max} | Up (Max Clamped Voltage Level) | Internal Gas Discharge Tube | Indicator | Rated Load Current | Model Number | Certification |
|---------------------|--------------------------------------|------------------|--------------------------------|-----------------------------|-----------|--------------------|--------------|---------------|
| | | | | | | | | |
| | | | | | | | | |

Note:

General Specifications

| Parameter | Min. | Typ. | Max. | Notes |
|-----------|------|------|------|-------|
| | | | | |
| | | | | |
| | | | | |
| μ | | | | |
| | | | | |

Environmental Specifications

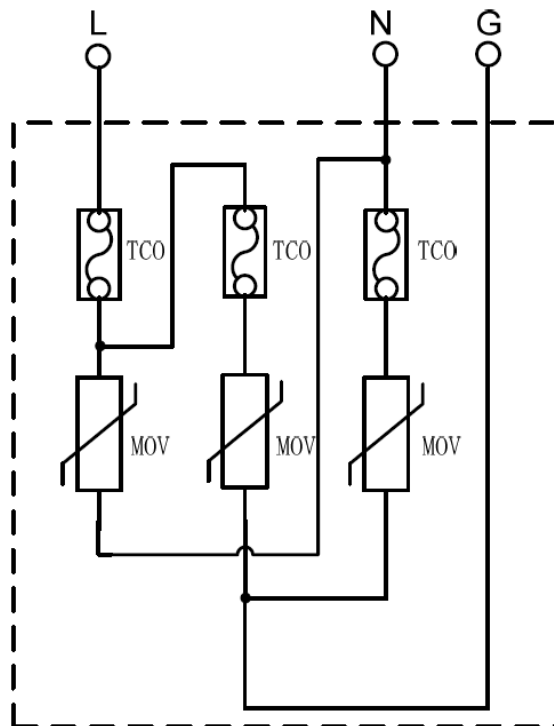
| Parameter | Min. | Typ. | Max. | Notes |
|-----------|------|------|------|-------|
| | ◦ | | ◦ | |
| ≡ | ◦ | | ◦ | ≡ |
| | ◦ | | ◦ | ≡ |

Safety & EMC Compliance

| Safety Category | Standard |
|-----------------|----------|
| | |
| | |

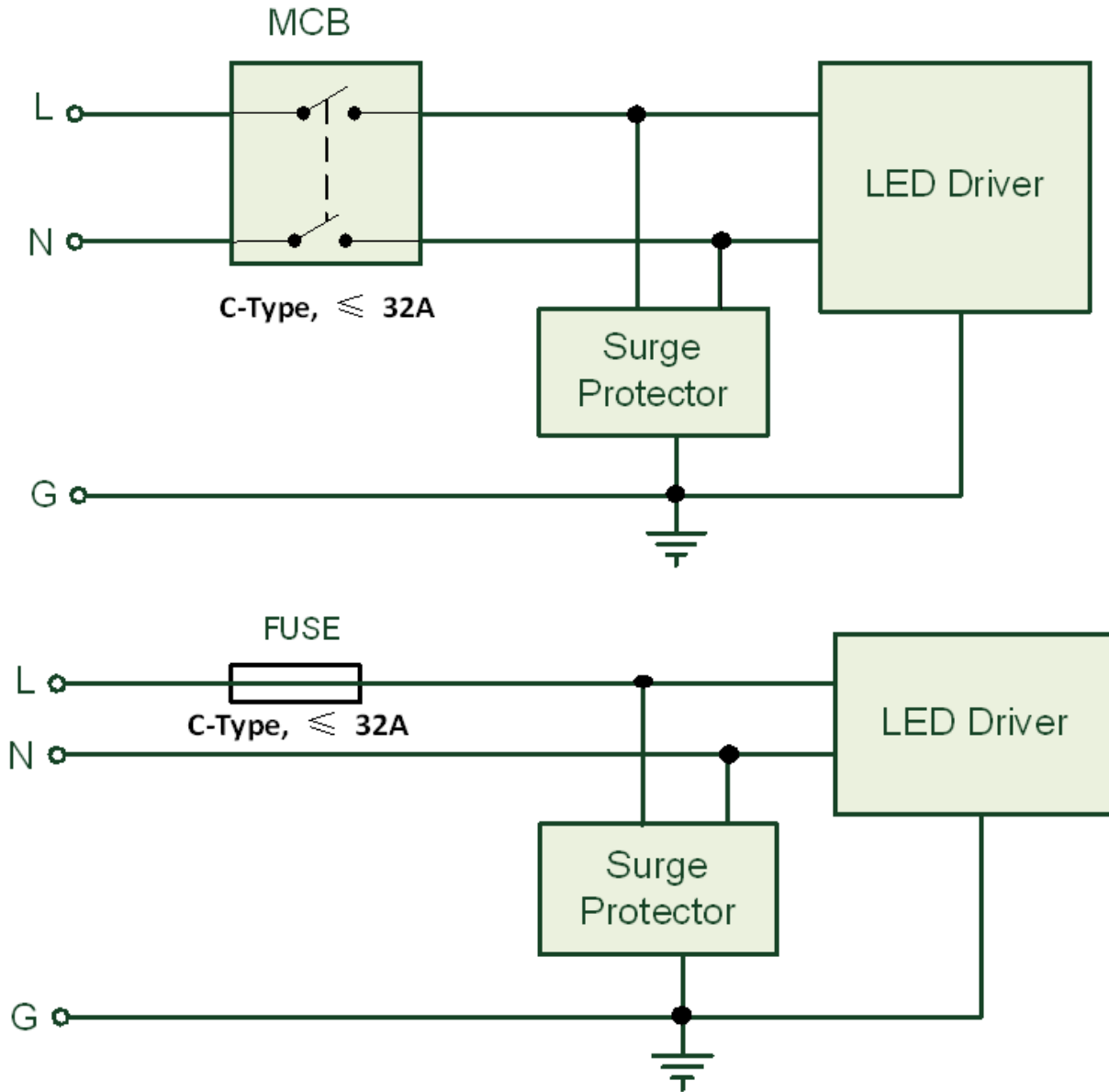
Schematic

PY-20KS10KTTN



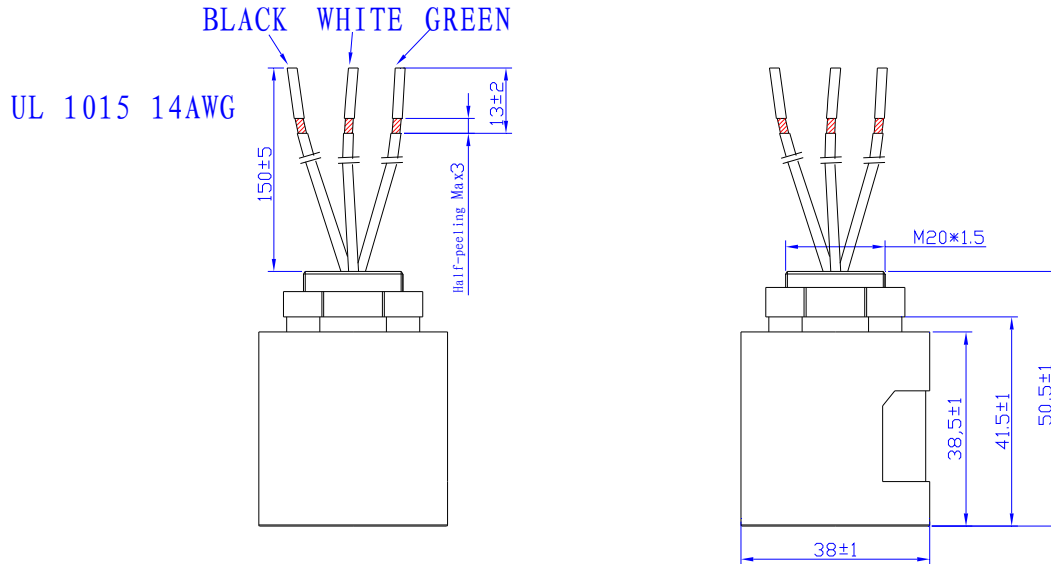
Wiring

PY-20KS10KTTN



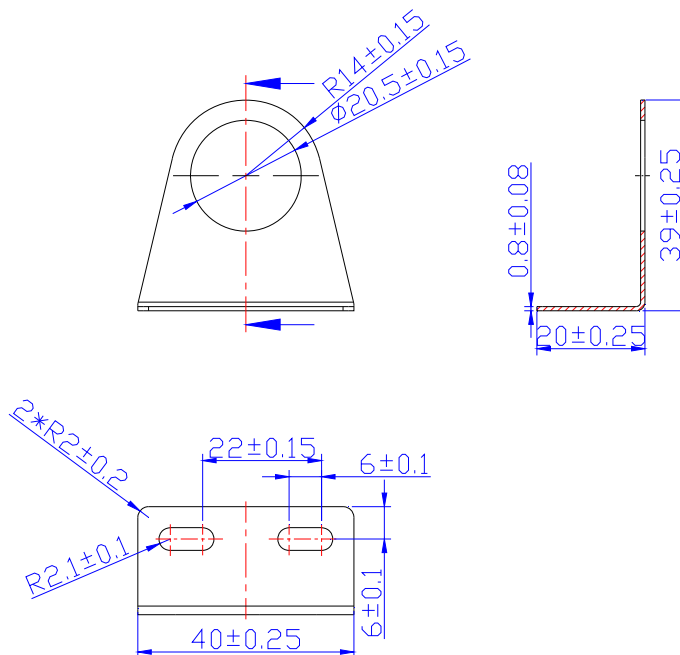
Mechanical Outline

PY-20KS10KTTN



Optional Bracket:

BRU-20KS10KT



Note:

Revision History

| Change Date | Rev. | Description of Change | | |
|-------------|------|-----------------------|------|----|
| | | Item | From | To |
| | | | | |