

	90 Vac	-	305 Vac	127 ~ 300 Vdc
	47 Hz	-	63 Hz	
	-	-	0.75 MIU	UL8750; 277Vac/ 60Hz
	-	-	0.70 mA	IEC60598-1; 240Vac/ 60Hz
	-	-	0.55 A	
	-	-	0.30 A	
	-	-	0.01 A ² s	
	0.90	-	-	120-277Vac, 50~60Hz, 75%-100% (30~40W)
	-	-	15%	
	-	-	10%	200-240Vac, 50~60Hz, 75%-100% (30~40W)

	-8%lo	-	8%lo	
(pk-avg)	-	50%lo	75%lo	
	-	5%lo	10%lo	
EUC-040S070DTM0004	-	-	100V	
EUC-040S070DTM	-	-	100V	
EUC-040S110DTM0005	-	-	60V	
EUC-040S110DTM0001	-	-	60V	
	-	-	± 5.0%	
	-	-	± 5.0%	
	-	1.5 s	2.0 s	120Vac, 75%-100%
	-	1.0 s	1.5 s	220Vac, 75%-100%
	-	0.06%/°C	-	= 0°C ~Tc

INVENTRONICS

EUC-040SxxxDTM000x

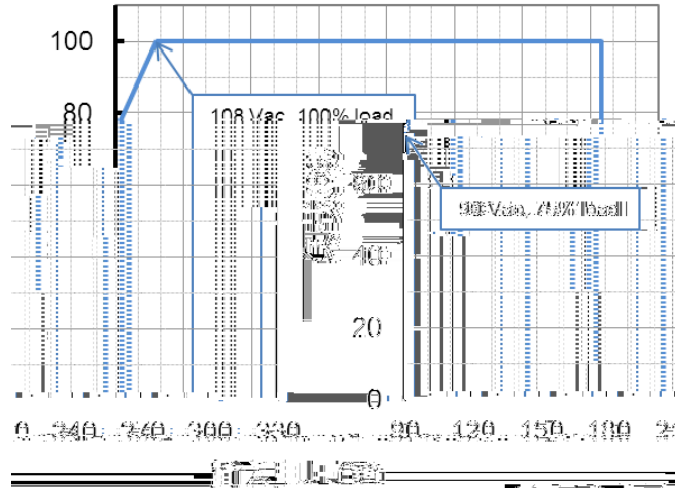
Rev. D

@120Vac: EUC-040S070DTM0004 EUC-040S070DTM EUC-040S110DTM0005 EUC-040S110DTM0001	84.0% 83.0% 83.0% 82.0%	85.0% 84.0% 84.0% 83.0%	- - - -	
@220Vac: EUC-040S070DTM0004 EUC-040S070DTM EUC-040S110DTM0005 EUC-040S110DTM0001	86.0% 85.0% 85.0% 84.0%	87.0% 86.0% 86.0% 85.0%	- - - -	
@277Vac: EUC-040S070DTM0004 EUC-040S070DTM EUC-040S110DTM0005 EUC-040S110DTM0001	86.0% 85.0% 85.0% 84.0%	87.0% 86.0% 86.0% 85.0%	- - - -	
	-	546,000 Hours	-	
	-	93,000 Hours	-	
	-40 °C	-	+90 °C	
	-40 °C	-	+75 °C	: 10% RH to 100% RH.
	-40 °C	-	+85 °C	: 5% RH to 100% RH
(L x W x H) (L x W x H)				
	-	375 g	-	

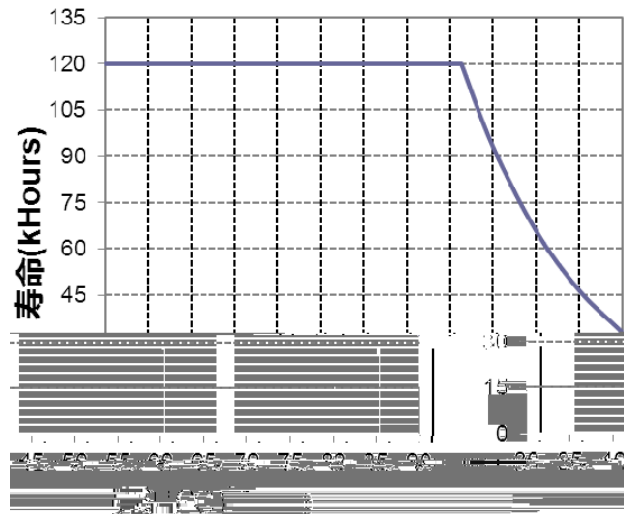
	-20 V	-	20 V	
	0 µA	200 µA	250 µA	
	10%Iomax		100%Iomax	
	0 V	-	10 V	

UL/CUL	UL 8750, UL 1310, CAN/CSA-C22.2 No. 250.13, CAN/CSA-C22.2 No. 223-M91
CE	EN 61347-1, EN61347-2-13
KS	KS C 7655
EMI	
EN 55015 ⁽¹⁾	Conducted emission Test & Radiated emission Test
EN 61000-3-2	Harmonic current emissions
EN 61000-3-3	Voltage fluctuations & flicker
FCC Part 15 ⁽¹⁾	ANSI C63.4 Class B
	This device complies with Part 15 of the FCC Rules. Operation is subject to the following two conditions: [1] this device may not cause harmful interference, and [2] this device must accept any interference received, including interference that may cause undesired operation.
EMS	
EN 61000-4-2	Electrostatic Discharge (ESD): 8 kV air discharge, 4 kV contact discharge
EN 61000-4-3	Radio-Frequency Electromagnetic Field Susceptibility Test-RS
EN 61000-4-4	Electrical Fast Transient / Burst-EFT
EN 61000-4-5	Surge Immunity Test: AC Power Line: line to line 4 kV, line to earth 6 kV
EN 61000-4-6	Conducted Radio Frequency Disturbances Test-CS
EN 61000-4-8	Power Frequency Magnetic Field Test
EN 61000-4-11	Voltage Dips
EN 61547	Electromagnetic Immunity Requirements Applies To Lighting Equipment

降额曲线



寿命 vs. 壳温



_ f • Ž

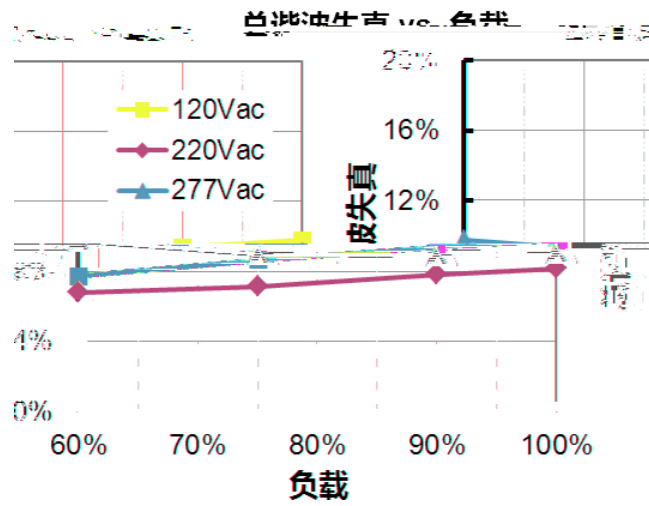
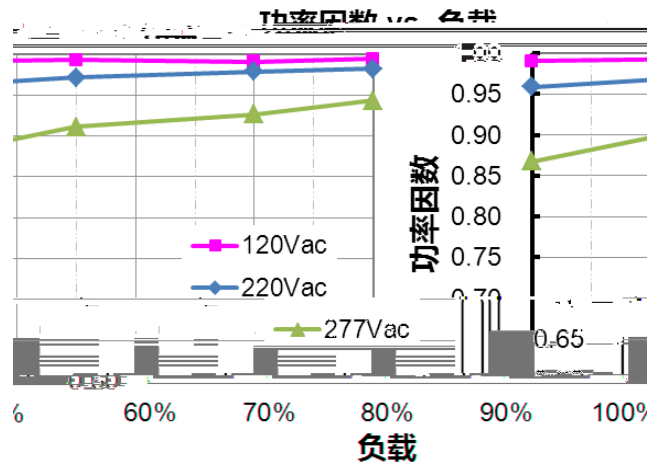
] ' • Ž

EUC-040S070DTM(lo=700mA)

EUC-040S070DTM0004(lo=500mA)

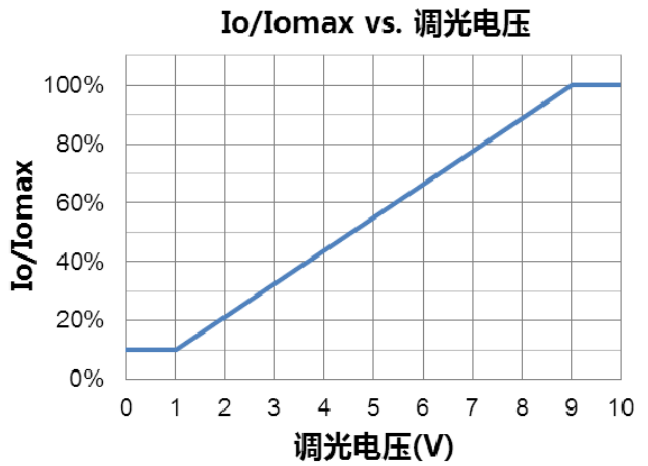
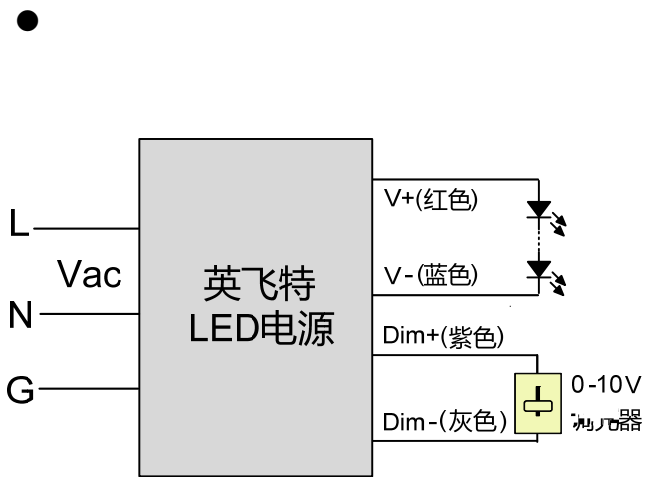
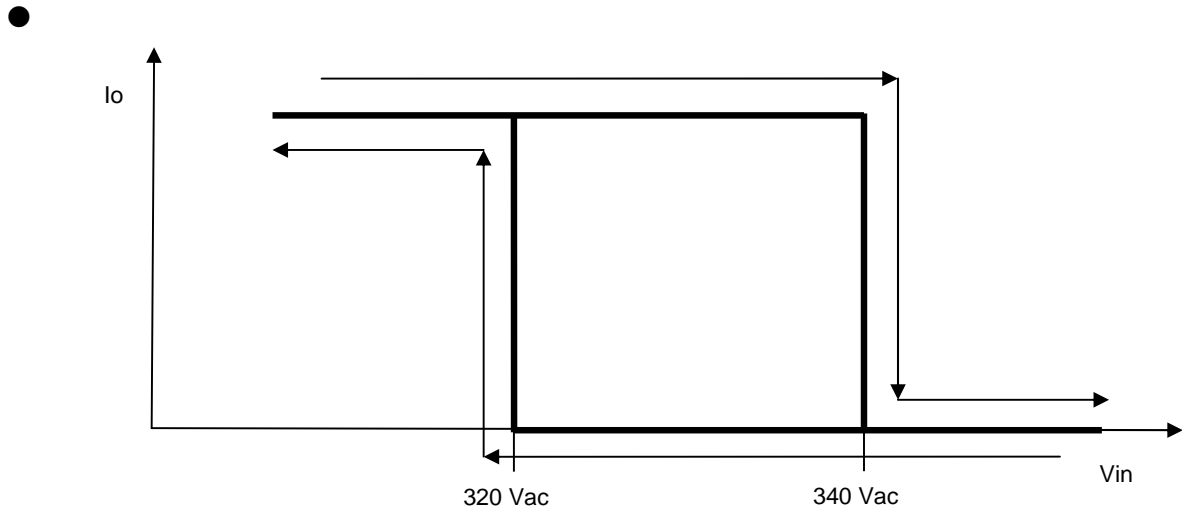
EUC-040S110DTM0001(lo=1050mA)

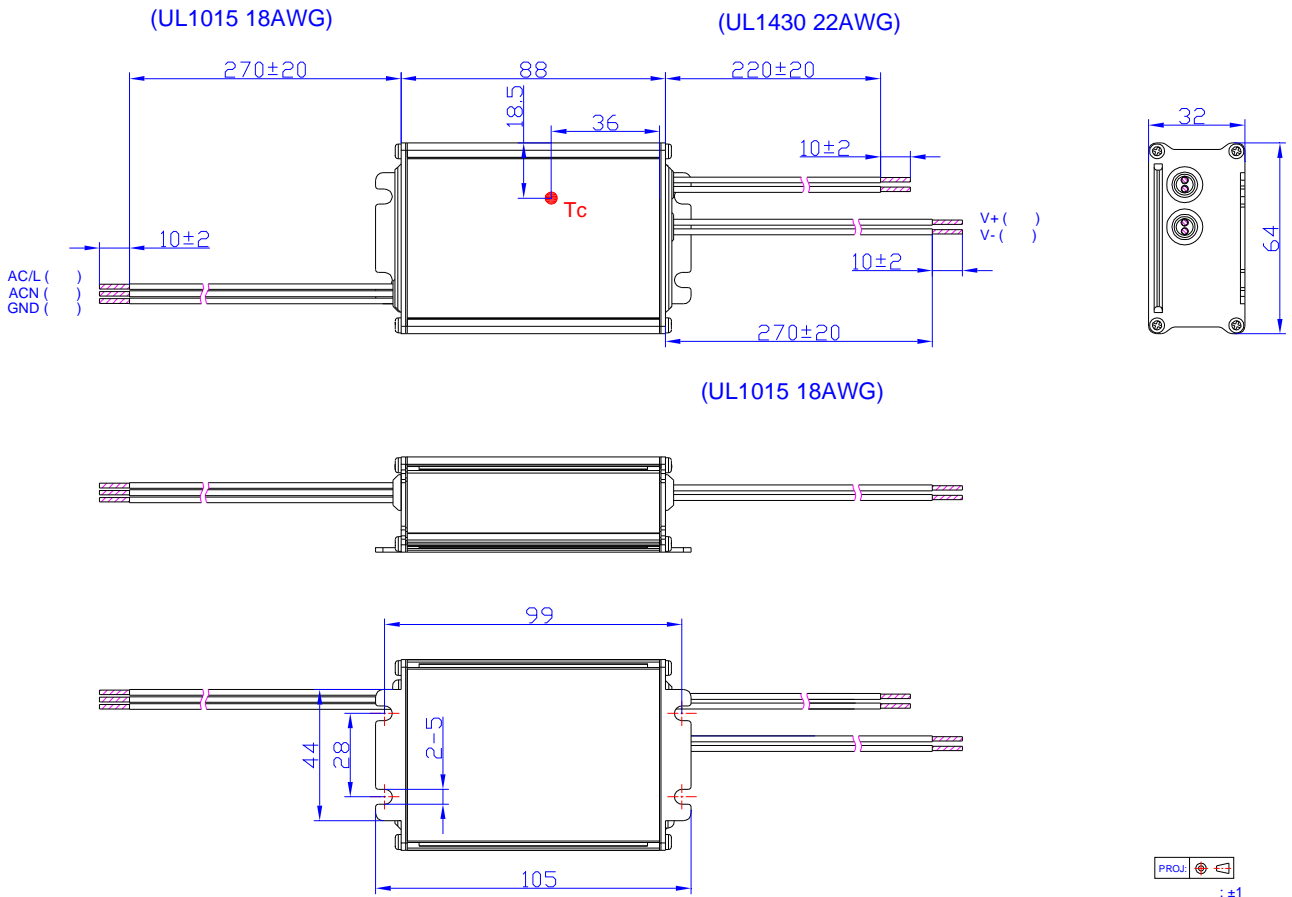
EUC-040S110DTM0005(lo=860mA)



			83± 10V		88± 10V
		330 Vac	340 Vac	350 Vac	
		300 Vac	320 Vac	340 Vac	

		-	-	380 Vac	





INVENTRONICS

EUC-040SxxxDTM000x

Rev. D

